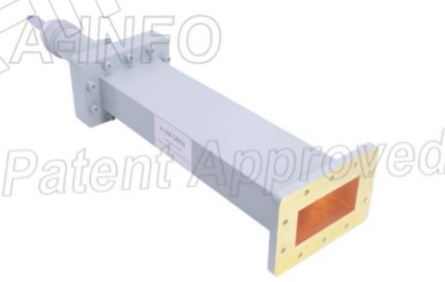


Technical Specification

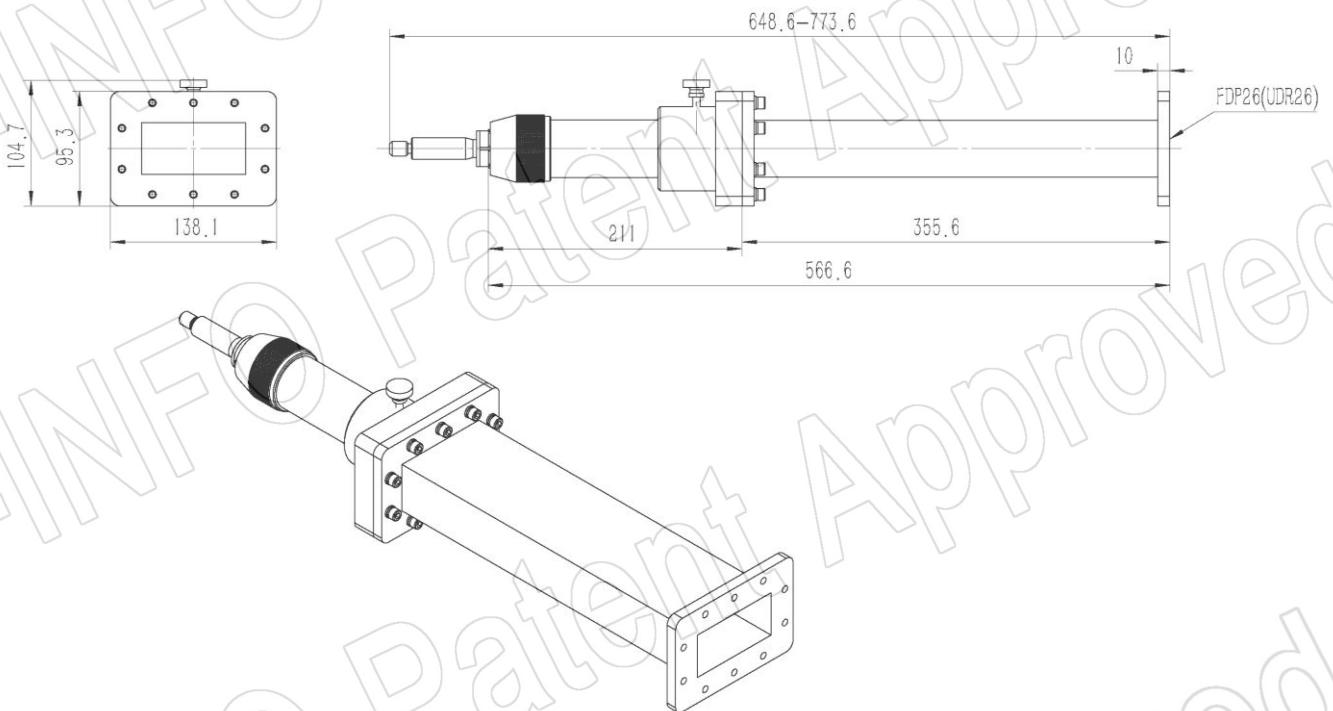


EIA WR	WR340
Frequency Range(GHz)	2.2 – 3.3
VSWR	>50
Flange	FDP26(UDR26)
Material	Al
Size(L)(mm)	648.6~773.6
Net Weight(Kg)	6.63 Around

PATENT ID (China)

ZL202010897766.X, ZL202030750674.X

Outline Drawing (Size: mm)



AINFO Inc.

Page 1 of 4

China(Beijing):
China(Chengdu):
USA :

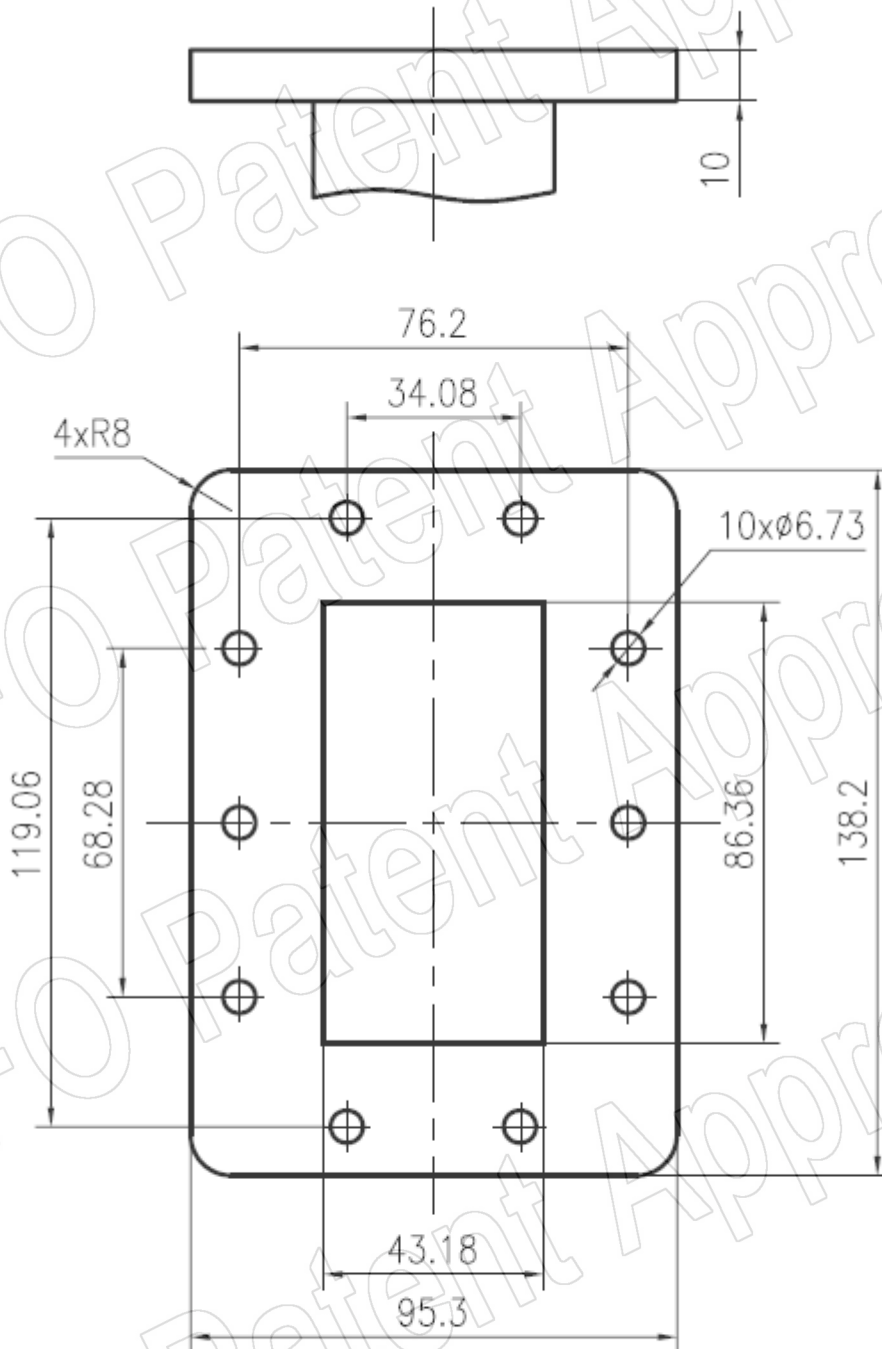
Tel: (+86) 10-6266-7326,
Tel: (+86) 28-8519-2786,
Tel: (+1) 949-639-9688,

(+86) 10-6266-7327
(+86) 28-8519-3044
(+1) 949-639-9608

Fax: (+86) 10-6266-7379
Fax: (+86) 28-8519-3068
Fax: (+1) 949-639-9670

Website: www.ainfoinc.com
Email: sales@ainfoinc.com

Flange Drawing (Size: mm)



FDP26

AINFO Inc.

Page 2 of 4

China(Beijing):
China(Chengdu):
USA :

Tel: (+86) 10-6266-7326,
Tel: (+86) 28-8519-2786,
Tel: (+1) 949-639-9688,

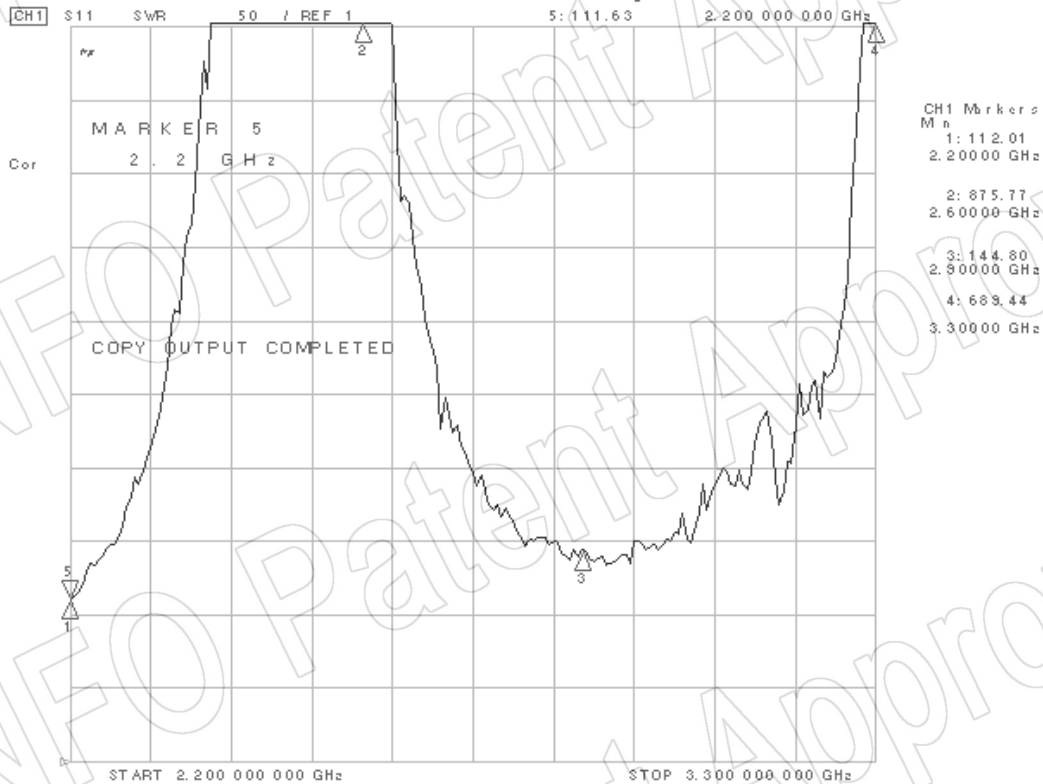
(+86) 10-6266-7327
(+86) 28-8519-3044
(+1) 949-639-9608

Fax: (+86) 10-6266-7379
Fax: (+86) 28-8519-3068
Fax: (+1) 949-639-9670

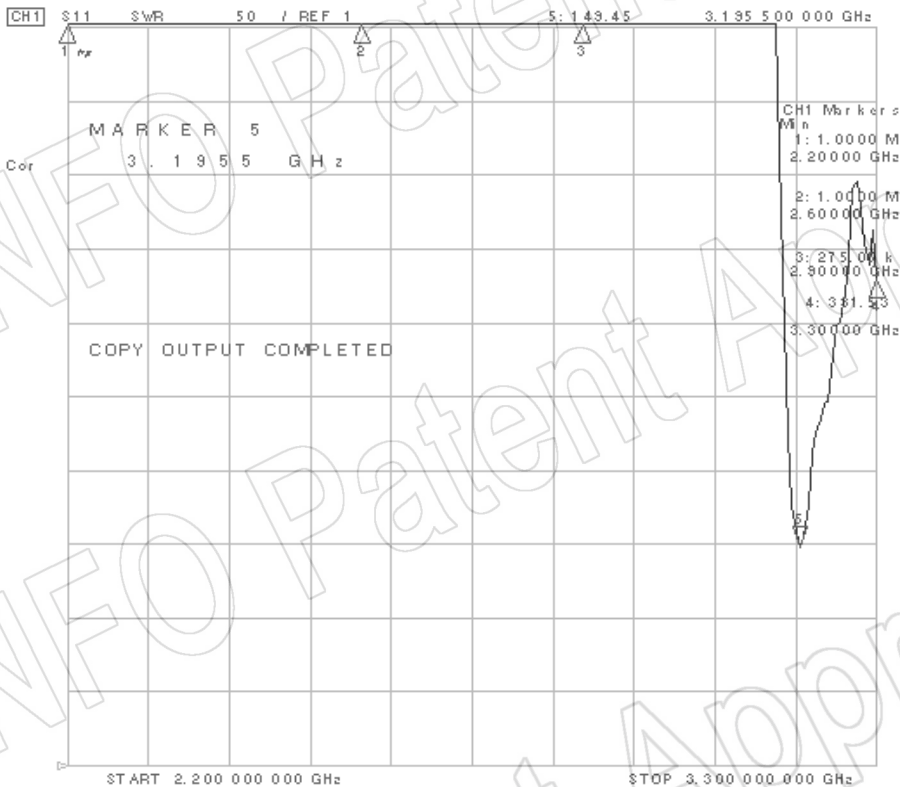
Website: www.ainfoinc.com
Email: sales@ainfoinc.com

Test Results

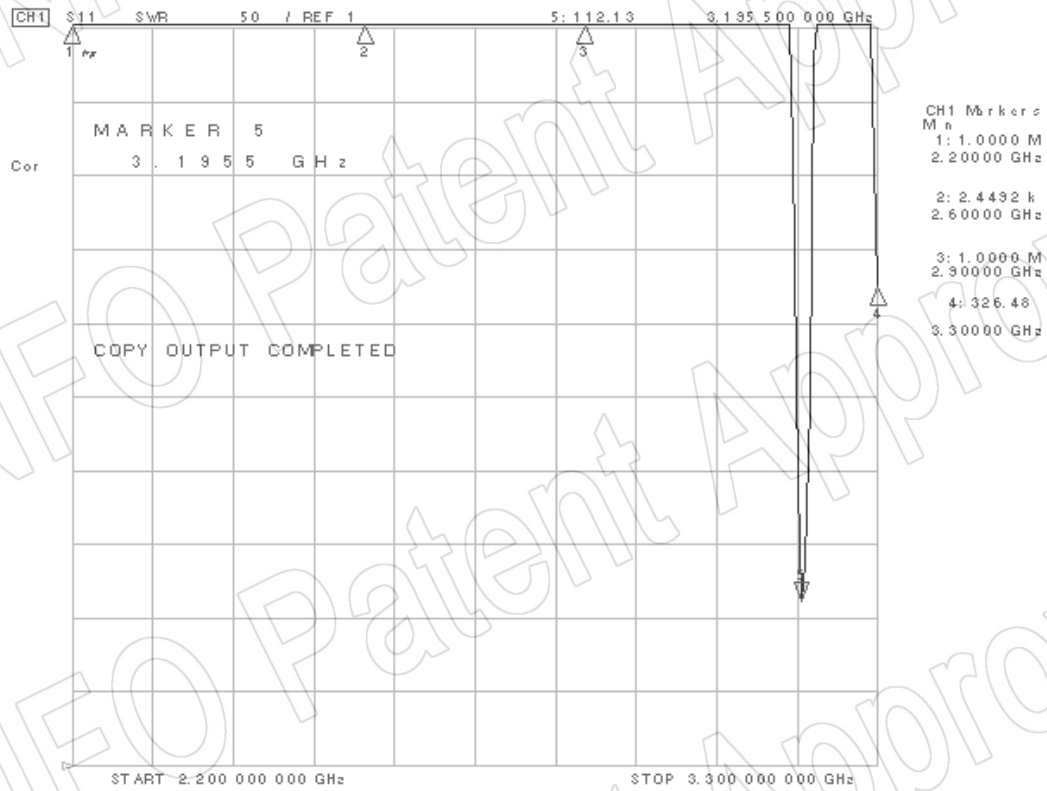
VSWR (at 0mm)



VSWR (at 40mm)



VSWR (at 80mm)



VSWR (at 125mm)

